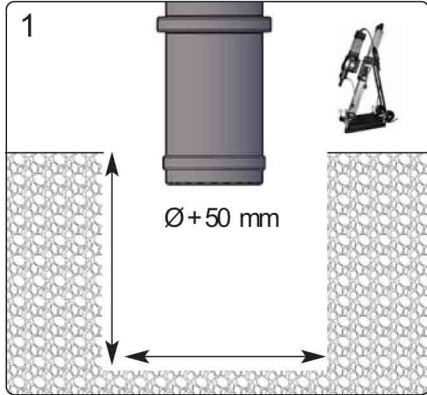
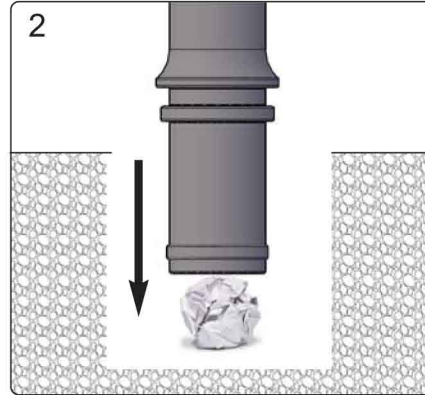


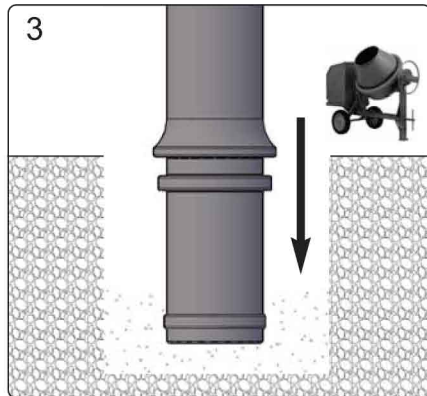
## AB-RFB100-R Bollard Installation Example



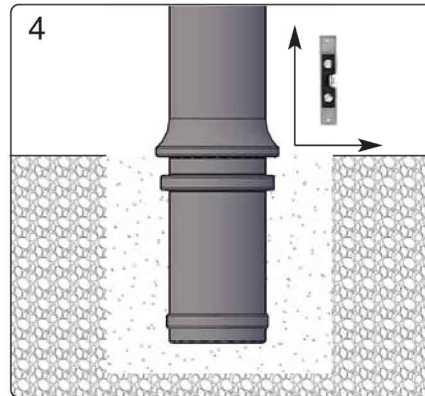
1 Dig a hole for the bollard installation. Preferably with diamond bit drill, failing with jackhammer or rotary.



2 Introduce the newspaper inside the hollow of bollard to avoid.

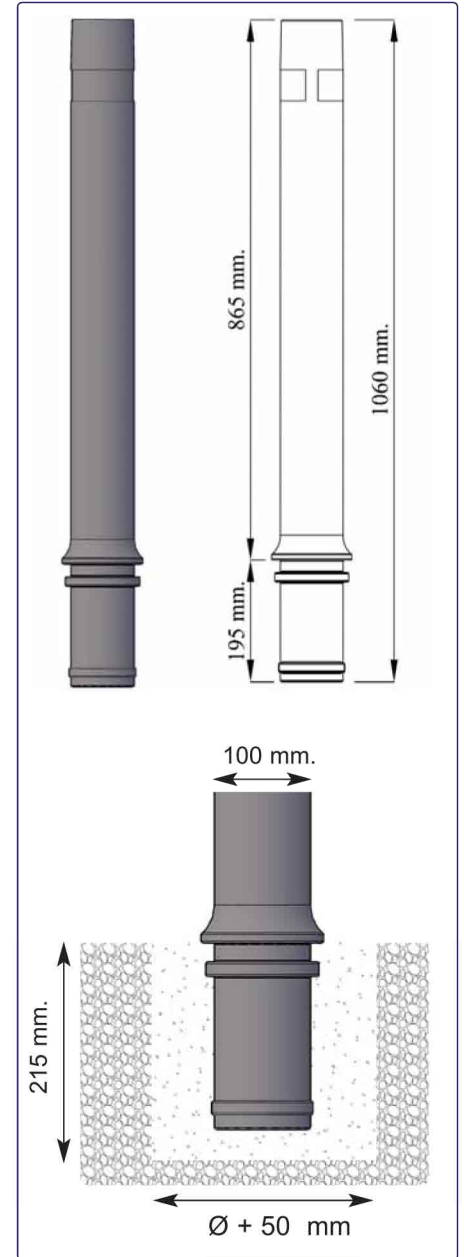


3 Introduce the bollard inside the hole and filled with concrete.



4 Level the bollard correctly.

Sizes:



*Memory bollards.*

*When bollards receive any impacts its material properties allow bollards to recover its original position.*