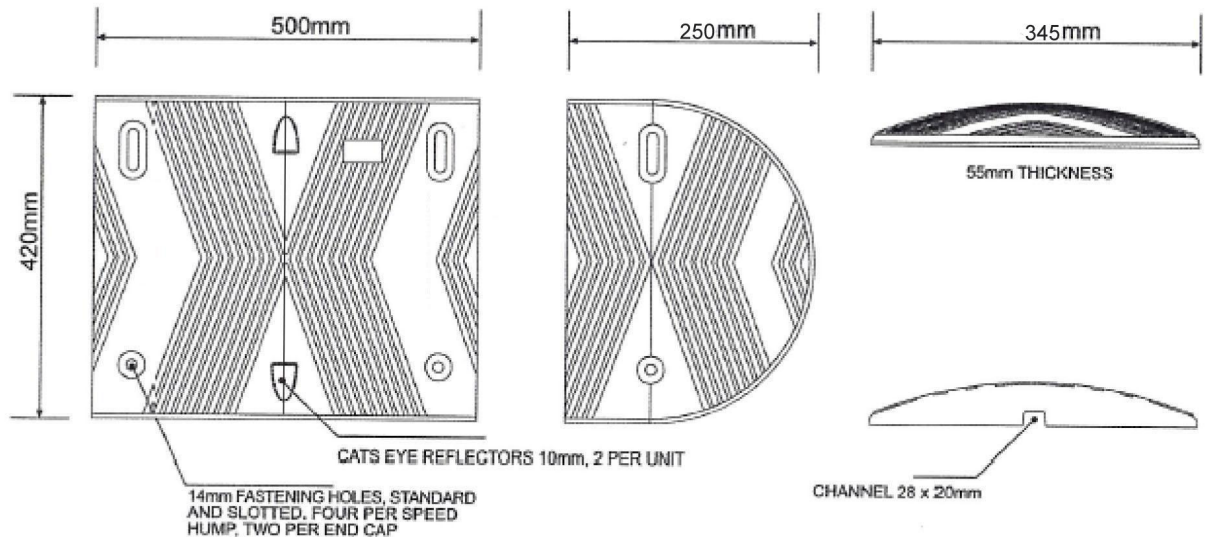


SPEED HUMP & WHEELSTOP SPECIFICATIONS

SPEED HUMP/ END CAP

- End caps available in yellow and black.
- Speed Hump module consists of one black and one yellow unit.



WHEEL STOP - 3 HOLE/Model: 1650

AS 2890.1 - 2004

