



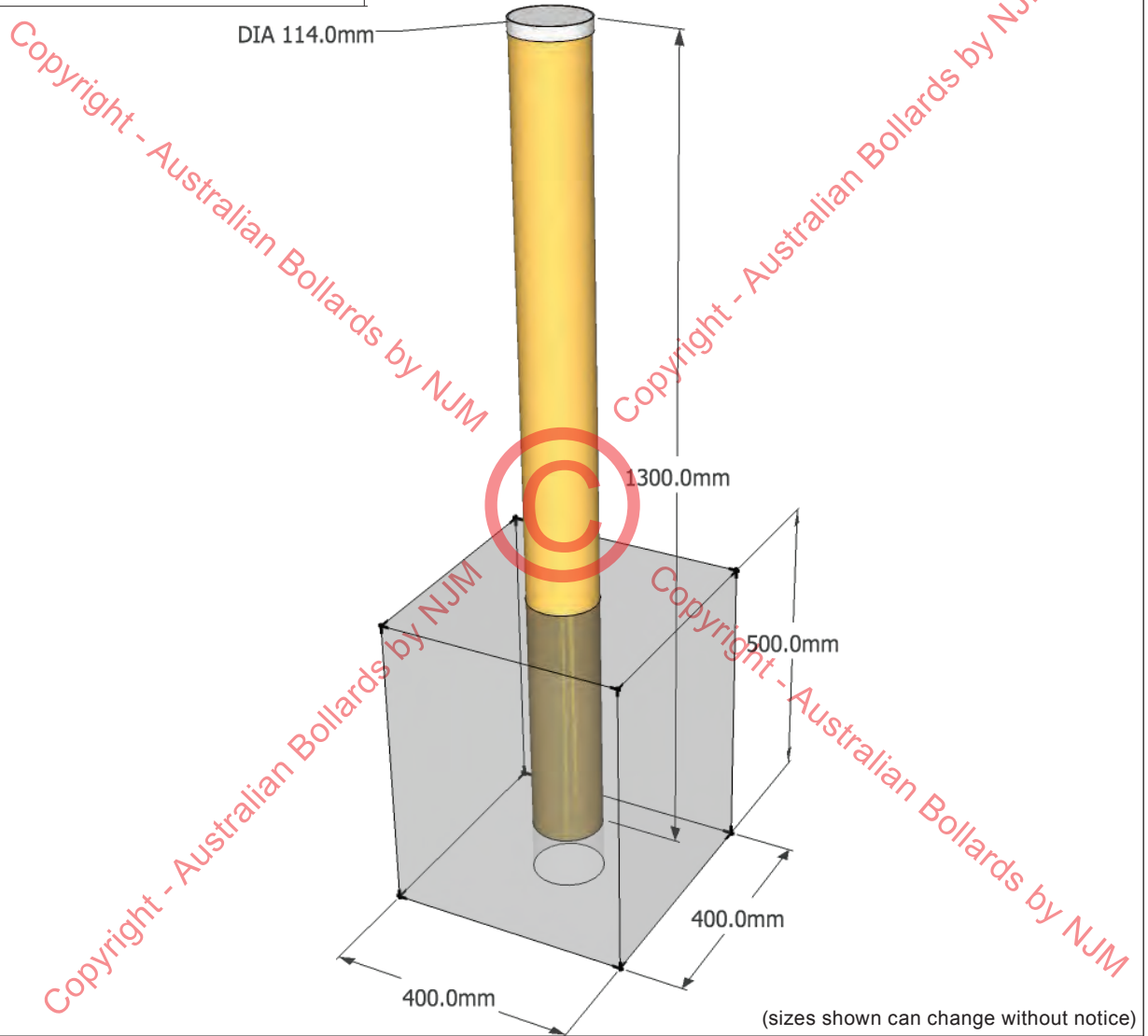
# Australian Bollards

australianbollards.com.au



AB-GM114-Y

Gas Meter Bollard



**Dimension** 114 mm (DIA) X 5 mm (wall thickness) X 900mm (Height - above ground / 400mm below ground)

**Base Plate** 400 mm X 400mm (concrete footing)

**Material** Zinc Coated Mild Steel, Metallic Powder Coated (Anti Graffiti Surface Finish)

**Installation** Sub - Surface mounted, Concrete footing 400mm X 400mm X 500mm

**Weight** Bollard 15kg

**Engineers Certification**

**Additional Notes** Bollard comes with lished finish stainless steel cap & Australian Bollards reflective tape. Meets OH&S liftable weight guidelines for manual handling

We Stock. We Supply. We Deliver. We Site Install. We Maintain.