

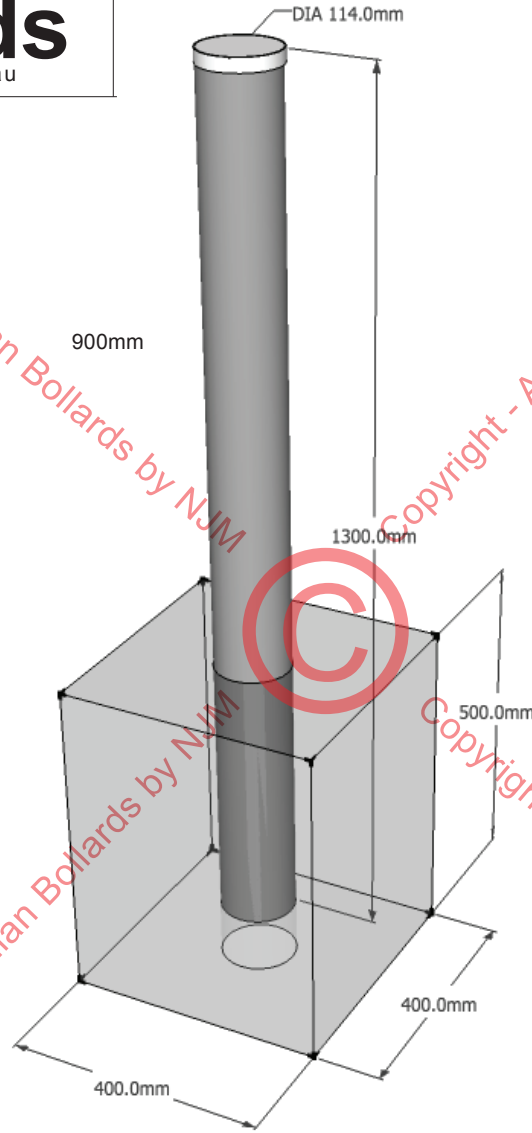


Australian Bollards

australianbollards.com.au



Gas Meter Bollard



Gas Meter Bollard

(sizes shown can change without notice)

Dimension 114 mm (DIA) X 5 mm (wall thickness) X 900mm (Height - above ground / 400mm below ground)

Base Plate 400 mm X 400mm (concrete footing)

Material Zinc Coated Mild Steel, Metallic Powder Coated (Anti Graffiti Surface Finish)

Installation Sub - Surface mounted,

Weight 15kg

Engineers Certification

Additional Notes Meets OH&S liftable weight guidelines for manual handling

We Stock. We Supply. We Deliver. We Site Install. We Maintain.